

General

Flanders Perma Frame is used to mount ducted or fan-powered terminal modules in a hard ceiling application such as sheet rock or plasterboard.

The Perma Frame is ideal for biotech facilities that require frequent wash-down of the cleanroom as well as isolation hospital rooms where HEPA type filtration is frequently required.

Construction

Perma Frames are manufactured of 18 gage steel and are welded on all exposed corners to guarantee a smooth cleanable surface. They are finished with a white powdercoat paint as standard. Pre-drilled mounting holes are furnished on the vertical flanges to facilitate an easy and level installation.

Model Number Development

HCFA	--	2448	--	SS
Model Number		Size		Special Features

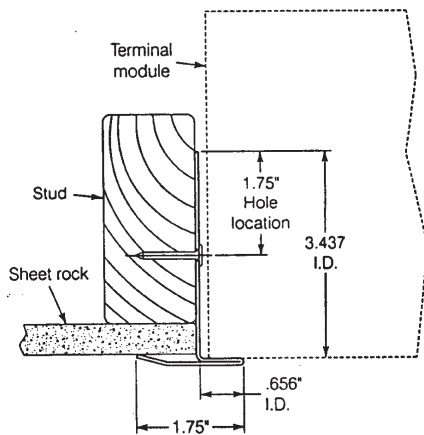
• Special Features: Use "SS" as a suffix for stainless steel construction. Frames are furnished with a white powdercoat as a standard.

Important Features

- Heavy duty construction
- Powdercoated washable surface
- Welded corners
- Requires no gasketing



Construction Details



Frame / Filter Crosssection

Dimensional Data

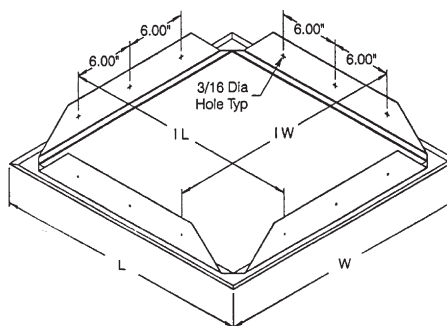
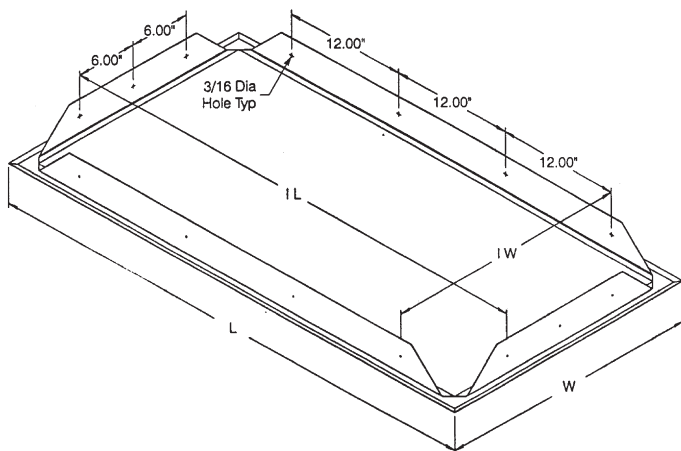
Model Number	Actual Dimensions (inches)				Weight (lbs)
	L	W	IL	IW	
HCFA 2424	26	26	24	24	4
HCFA 2448	50	26	48	24	6

Drawing Notes:

Construction-18 ga. cold rolled steel or 304 stainless steel.

IL- inside length

IW- inside width



Guide Specifications

1.0 General

1.1 Sheet rock adaptor frame for ceiling mounted terminal modules shall be Perma Frame as manufactured by Flanders, Inc.

2.0 Frame Construction

2.1 Frames shall be constructed of 18 gauge steel and welded flush on all exposed corners.

2.2 They shall be painted with a white powder coat paint.

2.3 The mounting flanges and alignment holes shall be predrilled for precise installation.

2.4 The resting flange shall accommodate standard size terminal modules.



Flanders Corporation
531 Flanders Filters Road
Washington, NC 27889

Phone: (252) 946-8081
Fax: (252) 946-3425
Toll Free: (800) 637-2803

Website: www.flanders-ffi.com

REPRESENTED BY: