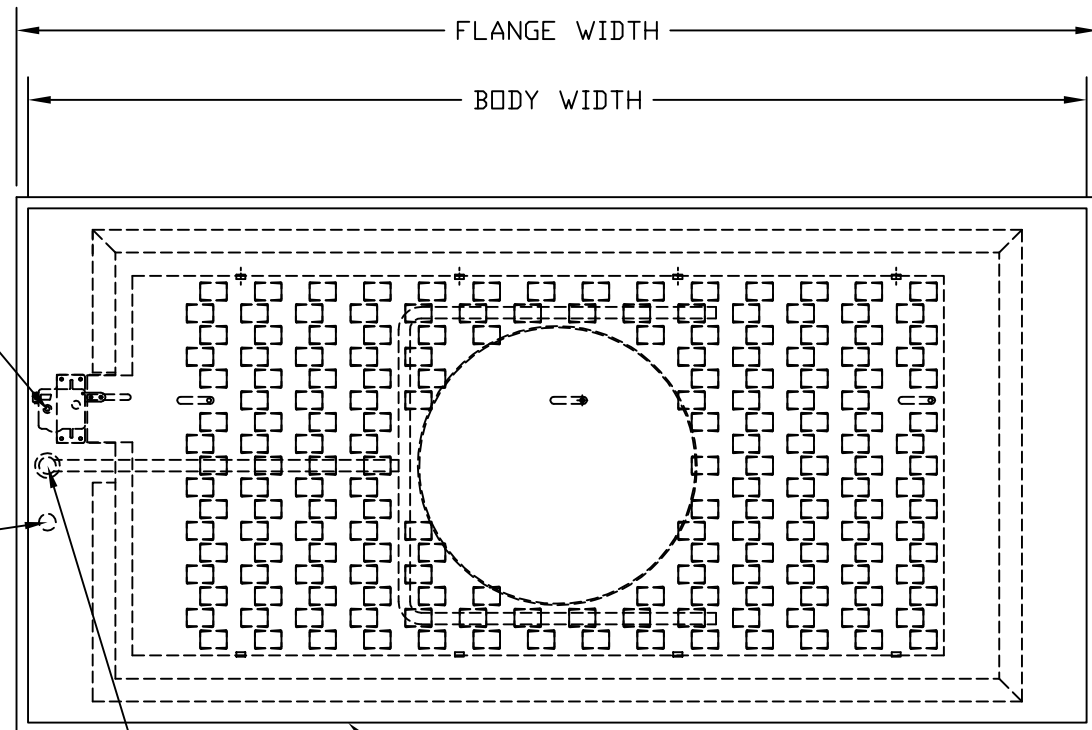


HOOD CONSTRUCTION MATERIAL

- 0.063" ALUMINUM
- T-304 STAINLESS STEEL
- T-304L STAINLESS STEEL
- T-316 STAINLESS STEEL
- T-316L STAINLESS STEEL

VARIOUS FINISHES AVAILABLE ON S/S



DAMPER CONTROL MECHANISM

STATIC PORT
SEE AEROSOL NOTE IF
QUICK DISCONNECT IS REQUIRED

BODY CODE AND SIZE

- E0781 22-11/16" X 46-11/16"
- E2482 22-11/16" X 34-11/16"
- E0881 22-11/16" X 22-11/16"
- E0597 10-11/16" X 22-11/16"
- E1896 10-11/16" X 46-11/16"

AEROSOL INJECTION SYSTEM

- 0 NONE
- J 3/8" NPT PLUG
- Q AEROSOL QUICK DISCONNECT
- R AEROSOL & STATIC QUICK DISCONNECT

INLET SIZE

- 8"
- 10"
- 12"
- 14"

FINISH

- 0 BARE METAL
- F HOOD POWDER PAINTED WHITE
- T TRIM POWDER PAINTED WHITE

HANGING TAB

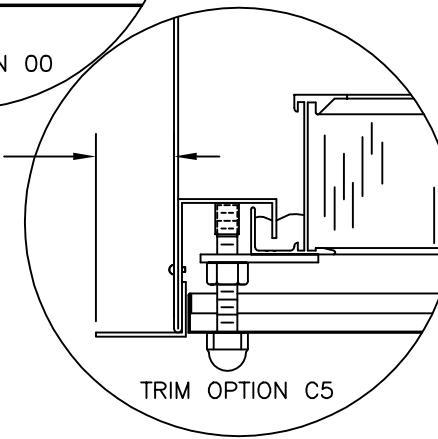
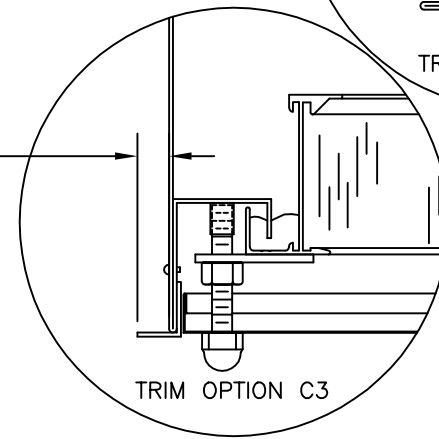
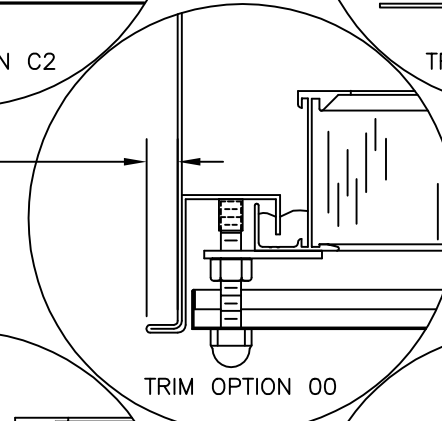
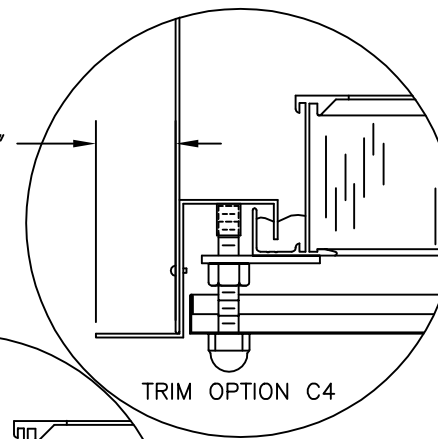
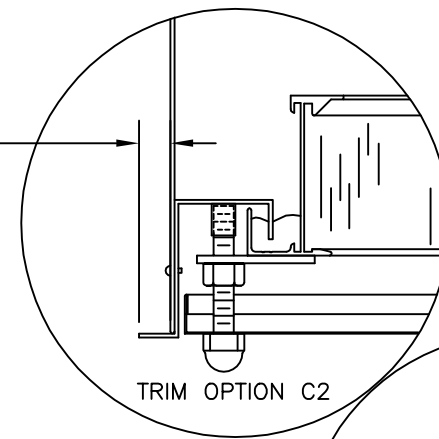
- 00 NONE
- B1 ALUMINUM OR STAINLESS
- B2 MOUNTING PADS

2" FOIL BACKED INSULATION

- 0 NONE
- 1 TOP ONLY
- 2 TOP & SIDES

TRIM STYLE

- 00 1/2" PERMANENT FLANGE
- C2 1/2" PERMANENT TRIM 18GA 304L #3 S/S
- C3 1/2" REMOVABLE TRIM 18GA 304L #3 S/S
- C4 1-1/2" PERMANENT TRIM 18GA 304L #3 S/S
- C5 1-1/2" REMOVABLE TRIM 18GA 304L #3 S/S



* 2" FILTER DEPTH ONLY

SPECIFICATIONS

1. POP RIVETED AND WELDED CONSTRUCTION.
2. LEAK PROOF FLUID SEAL BETWEEN THE FILTER AND THE CHANNEL-HOOD HOUSING.
3. BACK SIDE OF KNIFE-EDGE AND ANY INTERMITTENT WELDS ARE TO BE CAULKED WITH RTV SEALANT.
4. HOUSING IS TO BE CHECKED FOR FILTER FIT BEFORE LEAVING THE FACTORY.
5. ADJUSTABLE ESD SLIDE DAMPER FOR VOLUME CONTROL. DAMPER MAY BE ADJUSTED FROM INSIDE OF ROOM.

- DEPTH**
- *8"
 - *9"
 - 12"
 - 18"

GRILLE

- 00 NONE
- SF S/S FLUSH 40% OPEN
- SE S/S 2" EXTENDED 40% OPEN
- SH S/S FLUSHED, HINGED W/PAWL FASTENER
- CE CRS 2" EXTENDED 40% OPEN (PAINTED WHITE)
- CF CRS FLUSH 40% OPEN (PAINTED WHITE)
- AF ANODIZED ALUMINUM FLUSH 40% OPEN
- AE ANODIZED ALUMINUM 2" EXTENDED 40% OPEN

ODD SIZE DESIGNATOR CHART		
HEIGHT	WIDTH	DEPTH

REV	DESCRIPTION	DATE	APPR.

THIS DRAWING AND THE INFORMATION CONTAINED THEREON IS THE PROPERTY OF FLANDERS FILTERS INC. AND CANNOT BE REPRODUCED IN WHOLE OR IN PART, NOR DELIVERED TO OTHERS WITHOUT THE EXPRESS WRITTEN PERMISSION OF FLANDERS FILTERS, INC.



FLANDERS FILTERS, INC
WASHINGTON, NORTH CAROLINA

DR: <u>S. WINDLEY</u>	DATE: <u>10/26/06</u>	UNLESS OTHERWISE SPECIFIED DIMENSIONS ARE IN INCHES TOLERANCES ON FRACTIONS ± 1/16" DECIMALS _____ ANGLE _____
CK: _____		
APPR: _____		
SCALE: <u>NTS</u>		

TITLE: <u>ESD GENERAL DRAWING</u>	DRAWING NO. _____
CADDNAME: _____	ESD-SUBDWG _____
PLOT SCALE NTS	SH. _____
	REV. <u>0</u>