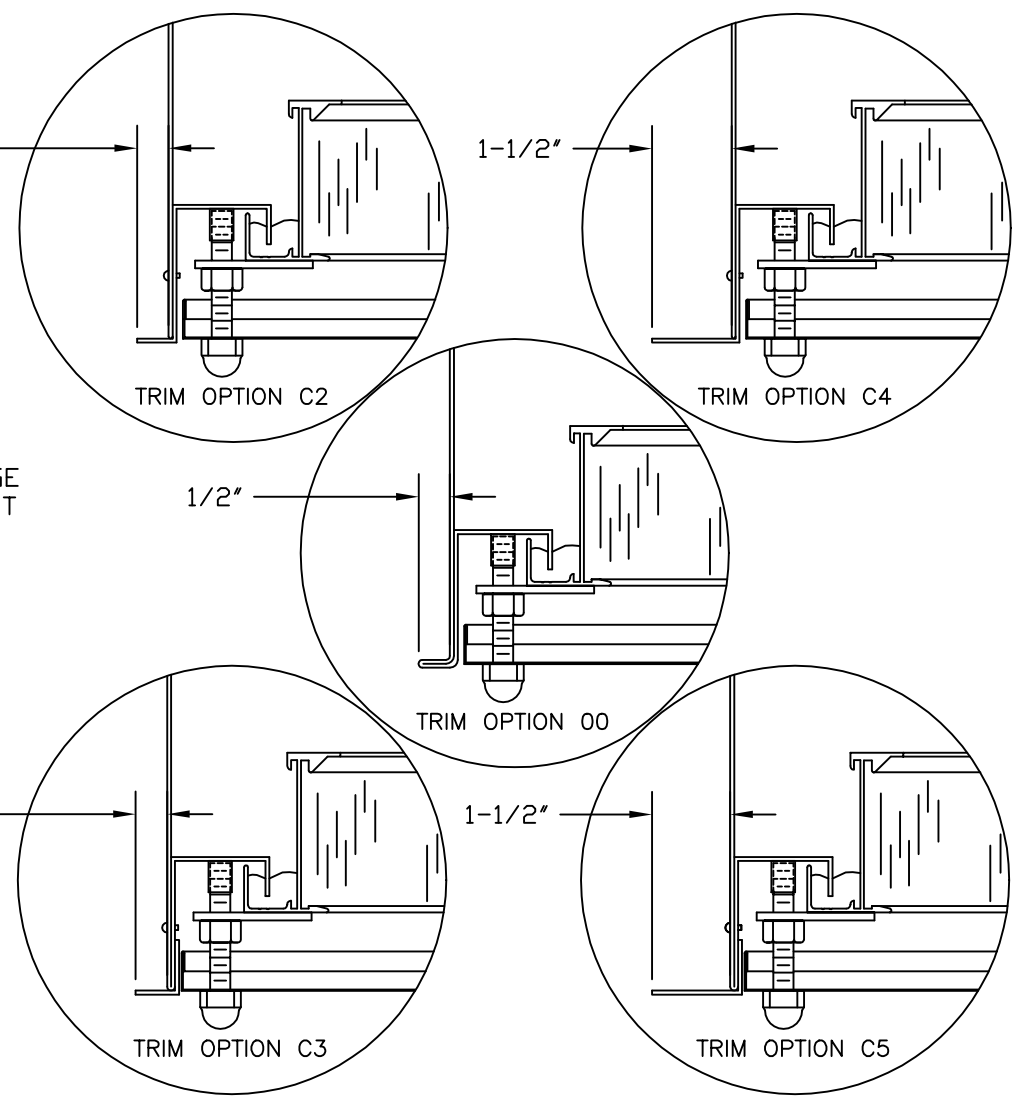
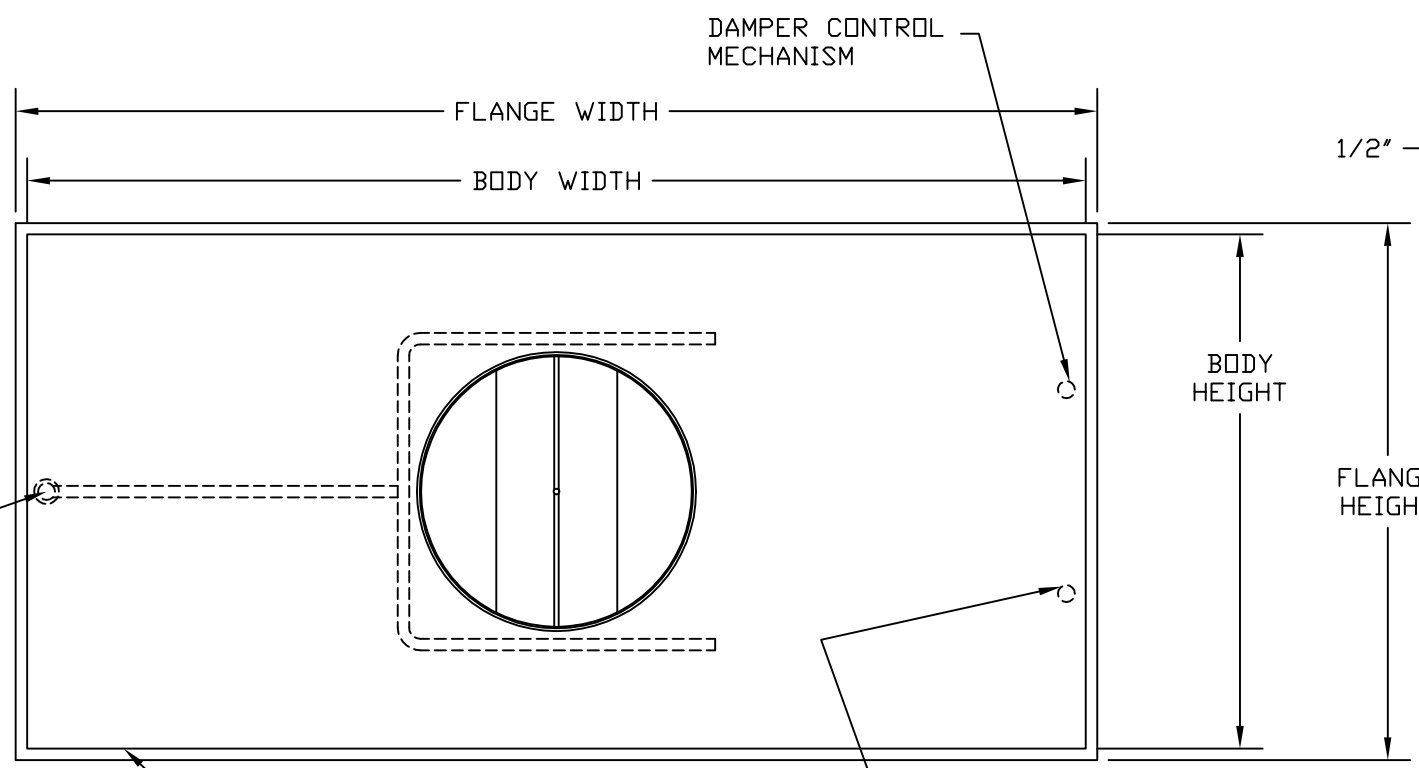


HOOD CONSTRUCTION MATERIAL
 0. 063" ALUMINUM
 T-304 STAINLESS STEEL
 T-304L STAINLESS STEEL
 T-316 STAINLESS STEEL
 T-316L STAINLESS STEEL
 VARIOUS FINISHES AVAILABLE ON S/S

CH22 DAMPER OPTIONS
 BUTTERFLY
 GUILLOTINE



AEROSOL INJECTION SYSTEM
 0 NONE
 J 3/8" NPT PLUG
 Q AEROSOL QUICK DISCONNECT
 R AEROSOL & STATIC QUICK DISCONNECT

BODY CODE AND SIZE
 E0781 22-11/16" X 46-11/16"
 E2482 22-11/16" X 34-11/16"
 E0881 22-11/16" X 22-11/16"
 E0597 10-11/16" X 22-11/16"
 E1896 10-11/16" X 46-11/16"

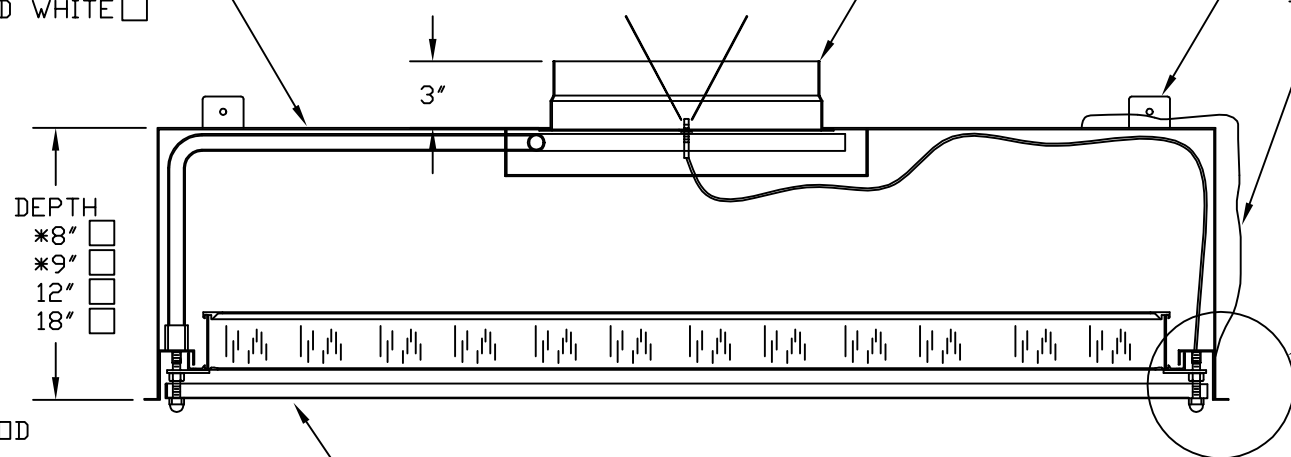
STATIC PORT
 SEE AEROSOL NOTE IF
 QUICK DISCONNECT IS REQUIRED

FINISH
 0 BARE METAL
 F HOOD POWDER PAINTED WHITE
 T TRIM POWDER PAINTED WHITE

INLET SIZE
 8"
 10"
 12"
 14"

HANGING TAB
 00 NONE
 B1 ALUMINUM OR STAINLESS
 B2 MOUNTING PADS
 2" FOIL BACKED INSULATION
 0 NONE
 1 TOP ONLY
 2 TOP & SIDES

TRIM STYLE
 00 1/2" PERMANENT FLANGE
 C2 1/2" PERMANENT TRIM 18GA 304L #3 S/S
 C3 1/2" REMOVABLE TRIM 18GA 304L #3 S/S
 C4 1-1/2" PERMANENT TRIM 18GA 304L #3 S/S
 C5 1-1/2" REMOVABLE TRIM 18GA 304L #3 S/S



* 2" FILTER DEPTH ONLY

DEPTH
 *8"
 *9"
 12"
 18"

SPECIFICATIONS

- POP RIVETED AND WELDED CONSTRUCTION.
- LEAK PROOF FLUID SEAL BETWEEN THE FILTER AND THE CHANNEL-HOOD HOUSING.
- BACK SIDE OF KNIFE-EDGE AND ANY INTERMITTENT WELDS ARE TO BE CAULKED WITH RTV SEALANT.
- HOUSING IS TO BE CHECKED FOR FILTER FIT BEFORE LEAVING THE FACTORY.
- ADJUSTABLE BUTTERFLY DAMPER FOR VOLUME CONTROL. DAMPER MAY BE ADJUSTED FROM INSIDE OF ROOM.

GRILLE
 00 NONE
 SF S/S FLUSH 40% OPEN
 SE S/S 2" EXTENDED 40% OPEN
 SH S/S FLUSHED, HINGED W/PAWL FASTENER
 CE CRS 2" EXTENDED 40% OPEN (PAINTED WHITE)
 CF CRS FLUSH 40% OPEN (PAINTED WHITE)
 AF ANODIZED ALUMINUM FLUSH 40% OPEN
 AE ANODIZED ALUMINUM 2" EXTENDED 40% OPEN

ODD SIZE DESIGNATOR CHART		
HEIGHT	WIDTH	DEPTH

REV	DESCRIPTION	DATE	APPR.

THIS DRAWING AND THE INFORMATION CONTAINED THEREON IS THE PROPERTY OF FLANDERS FILTERS INC. AND CANNOT BE REPRODUCED IN WHOLE OR IN PART, NOR DELIVERED TO OTHERS WITHOUT THE EXPRESS WRITTEN PERMISSION OF FLANDERS FILTERS, INC.



FLANDERS FILTERS, INC
 WASHINGTON, NORTH CAROLINA

DR: S. WINDLEY
 CK: _____
 APPR: _____
 SCALE: NTS
 DATE: 12/16/06
 UNLESS OTHERWISE SPECIFIED DIMENSIONS ARE IN INCHES TOLERANCES ON FRACTIONS ± 1/16" DECIMALS _____ ANGLE _____

TITLE: CH22 GENERAL DRAWING
 CADDNAME: PLOT SCALE NTS
 DRAWING NO. CH22-SUBDWG
 SH. _____ REV. 0
 OF _____