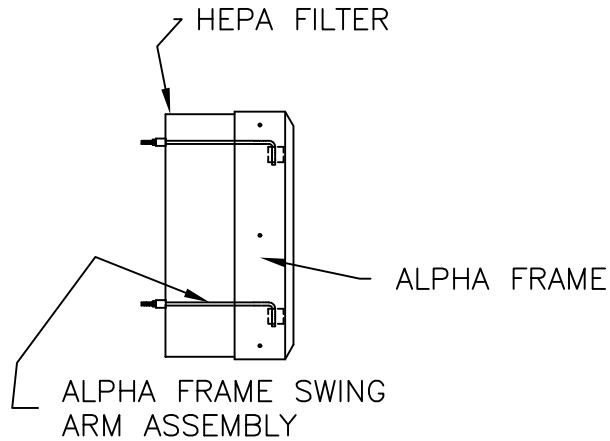
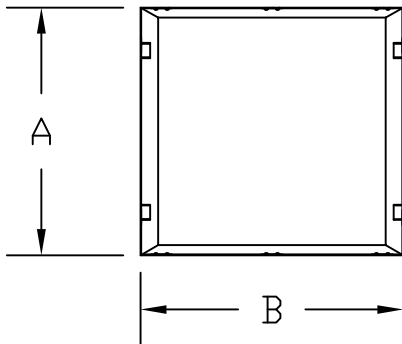
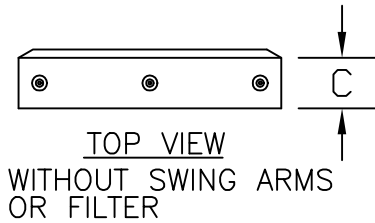


SPECIFICATIONS:

1. HOUSING IS CONSTRUCTED OF 14GA. GALVANIZED OR S/S (SPECIFY) SHEET METAL.
2. PANELS AND DOWNSTREAM JOINTS ARE CONTINUOUSLY WELDED. ARM BRACKETS ARE INTERMITTENTLY WELDED.
3. HOUSING IS TO BE CHECKED FOR FILTER FIT BEFORE LEAVING THE FACTORY.



RIGHT-SIDE VIEW  
WITH FILTER IN PLACE

DIMENSION DATA			
FILTER SIZE	A	B	C
CC-F/D	15-1/2"	17"	5"
CG-F/D	12-1/2"	26"	5"
GC-F/D	24-1/2"	14"	5"
GG-F/D	24-1/2"	26"	5"
YY-F/D	24-1/8"	25-5/8"	5"