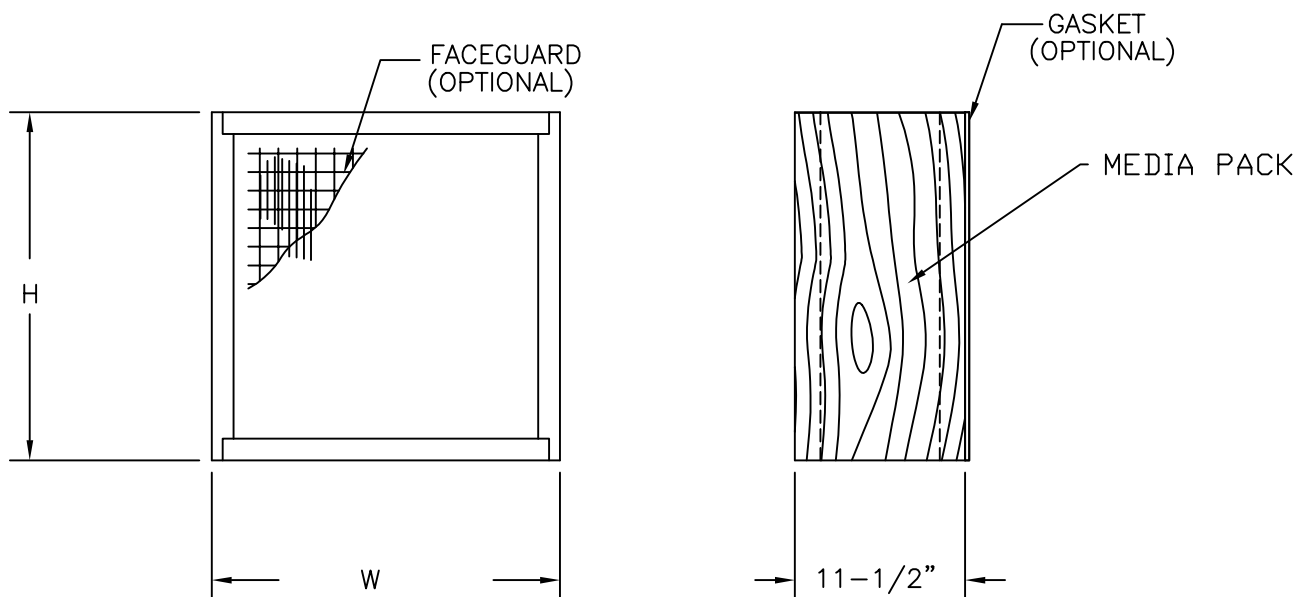


MODEL DESCRIPTION SAMPLE MODEL NO. 0-007-F-04-00-SU-12-00-GG-F

| | | | |
|-----------------------------|-------------------------------------------------------------------------------------------------------------------------------------------------------------------------------------------------------|--------------------------|--------------------------|
| FRAME HARDWARE | NONE | <input type="checkbox"/> | <input type="checkbox"/> |
| FILTER MEDIUM | 99.97% AT 0.3 μ m WATER RESISTANT GLASS | <input type="checkbox"/> | <input type="checkbox"/> |
| PACK STYLE | F - 8" PUREFORM | <input type="checkbox"/> | <input type="checkbox"/> |
| | C - ALUMINUM SEPARATORS | <input type="checkbox"/> | <input type="checkbox"/> |
| FRAME MATERIAL | 01 - 3/4" NON F.R. PLYWOOD 04 - 3/4" F.R. PLYWOOD 07 - 3/4" F.R. PARTICLEBOARD 11 - 3/4" NON F.R. PARTICLEBOARD | <input type="checkbox"/> | <input type="checkbox"/> |
| FRAME STYLE | 00 - BOX STYLE | <input type="checkbox"/> | <input type="checkbox"/> |
| PACK SEALANT | SOLID URETHANE FIRE RETARDANT | <input type="checkbox"/> | <input type="checkbox"/> |
| GASKET MATERIAL LOCATION | 00 - NONE 11 - NEOPRENE UPSTREAM 12 - NEOPRENE DOWNSTREAM 13 - NEOPRENE BOTH SIDES | <input type="checkbox"/> | <input type="checkbox"/> |
| FACEGUARD MATERIAL LOCATION | 00 - NONE 11 - GALVANIZED UPSTREAM 12 - GALVANIZED DOWNSTREAM 13 - GALVANIZED BOTH SIDES 21 - STAINLESS STL. UPSTREAM 22 - STAINLESS STL. DOWNSTREAM 23 - STAINLESS STL. BOTH SIDES | <input type="checkbox"/> | <input type="checkbox"/> |
| SIZE CODE | GG-F - EXAMPLE SEE CHART | <input type="checkbox"/> | <input type="checkbox"/> |

SIZE DESIGNATORS &
RATED FLOW @ 1.0" W.G.

| SIZE CODE | FILTER SIZE | | RATED FLOW(CFM) |
|-----------|-------------|---------|-----------------|
| | HEIGHT | WIDTH | |
| CC-F | 12" | 12" | 205 |
| YU-F | 23-3/8" | 11-3/8" | 425 |
| GC-F | 24" | 12" | 455 |
| GE-F | 24" | 18" | 725 |
| YY-F | 23-3/8" | 23-3/8" | 945 |
| GG-F | 24" | 24" | 1000 |
| GN-F | 24" | 30" | 1275 |



SPECIFICATIONS:

1. THE HEIGHT AND WIDTH TOLERANCE IS +0 / -1/8", SQ W/IN 1/8
2. THE DEPTH TOLERANCE IS +1/16" / -0
3. THE FILTER EFFICIENCY IS 99.99% AT 0.3 μ m AT THE RATED FLOW
4. THE FILTER RESISTANCE IS 1.0" W.G. MAXIMUM AT THE RATED FLOW
5. THE FILTER SHALL BE SCAN TESTED AT 90 FPM \pm 10% WITH AN APPROVED AEROSOL FOR LEAKS.
6. THE MAXIMUM TEMPERATURE EXPOSURE IS 250° F
7. THE MAXIMUM R.H. IS 100%
8. CLASSIFIED BY UNDERWRITERS LABORATORIES TO FLAMMABILITY ONLY UL 900 CLASS 1.

TITLE:
ALPHA CELL, WOOD FRAME, 99.99%
EFFICIENT, GASKET SEAL

Flanders
FLANDERS FILTERS, INC.

DRAWING NO.

AC-06

space
filters Pty Ltd
1300 733 431