

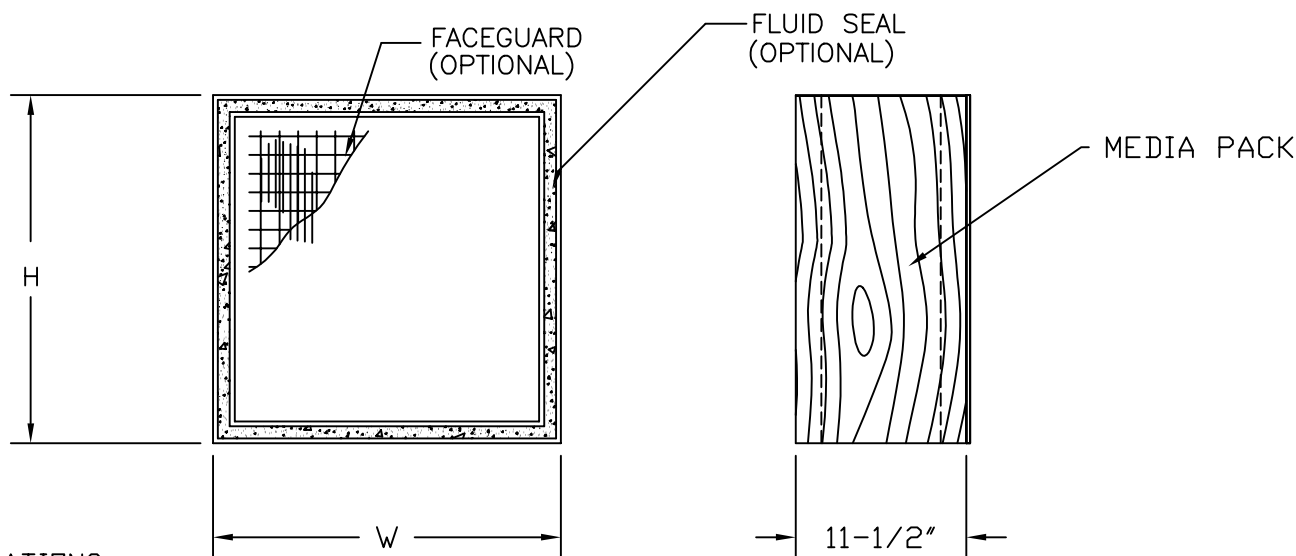
FRAME HARDWARE	NONE	0 -
FILTER MEDIUM	95% AT 0.3 μ m WATER RESISTANT GLASS	0 0 J -
PACK STYLE	F - 8" PUREFORM W - 11" PUREFORM C - ALUMINUM SEPARATORS	- - -
FRAME MATERIAL	01 - 3/4" NON F.R. PLYWOOD 04 - 3/4" F.R. PLYWOOD 07 - 3/4" F.R. PARTICLEBOARD 11 - 3/4" NON F.R. PARTICLEBOARD	- - -
FRAME STYLE	05 - 3/4" FLUID SEAL CHANNEL	0 5 -
PACK SEALANT	SOLID URETHANE FIRE RETARDANT	I U -
GASKET MATERIAL LOCATION	00 - NONE 51 - SILICONE BLU-JEL UPSTREAM 52 - SILICONE BLU-JEL DOWNSTREAM 52 - SILICONE BLU-JEL BOTH SIDES	- - -
FACEGUARD MATERIAL LOCATION	00 - NONE 11 - GALVANIZED UPSTREAM 12 - GALVANIZED DOWNSTREAM 13 - GALVANIZED BOTH SIDES 21 - STAINLESS STL. UPSTREAM 22 - STAINLESS STL. DOWNSTREAM 23 - STAINLESS STL. BOTH SIDES	- - -
SIZE CODE	GG-F - EXAMPLE SEE CHART	- F

SIZE DESIGNATORS &
RATED FLOW @ 1.0" W.G. (F PACKS)

SIZE CODE	FILTER SIZE		RATED FLOW(CFM)
	HEIGHT	WIDTH	
CC-F	12"	12"	205
YU-F	23-3/8"	11-3/8"	425
GC-F	24"	12"	455
GE-F	24"	18"	725
YY-F	23-3/8"	23-3/8"	945
GG-F	24"	24"	1000
GN-F	24"	30"	1275

SIZE DESIGNATORS &
RATED FLOW @ 1.0" W.G. (C AND W PACKS)

SIZE CODE	FILTER SIZE		RATED FLOW(CFM)
	HEIGHT	WIDTH	
CC-F	12"	12"	430
YU-F	23-3/8"	11-3/8"	865
GC-F	24"	12"	920
GE-F	24"	18"	1380
YY-F	23-3/8"	23-3/8"	1900
GG-F	24"	24"	2000
GN-F	24"	30"	2500



SPECIFICATIONS:

1. THE HEIGHT AND WIDTH TOLERANCE IS +0 / -1/8", SQ W/IN 1/8
2. THE DEPTH TOLERANCE IS +1/16" / -0
3. THE FILTER EFFICIENCY IS 95% AT 0.3 m AT THE RATED FLOW
4. THE FILTER RESISTANCE IS 1.0" W.G. MAXIMUM AT THE RATED FLOW
5. THE MAXIMUM TEMPERATURE EXPOSURE IS 250° F
6. THE MAXIMUM R.H. IS 100%
7. CLASSIFIED BY UNDERWRITERS LABORATORIES TO FLAMMABILITY ONLY UL 900 CLASS 1.

TITLE:
ALPHA 95, WOOD FRAME
FLUID SEAL

Flanders
FLANDERS FILTERS, INC.

DRAWING NO.
AC-23

space
Filters Pty Ltd
1300 783 431