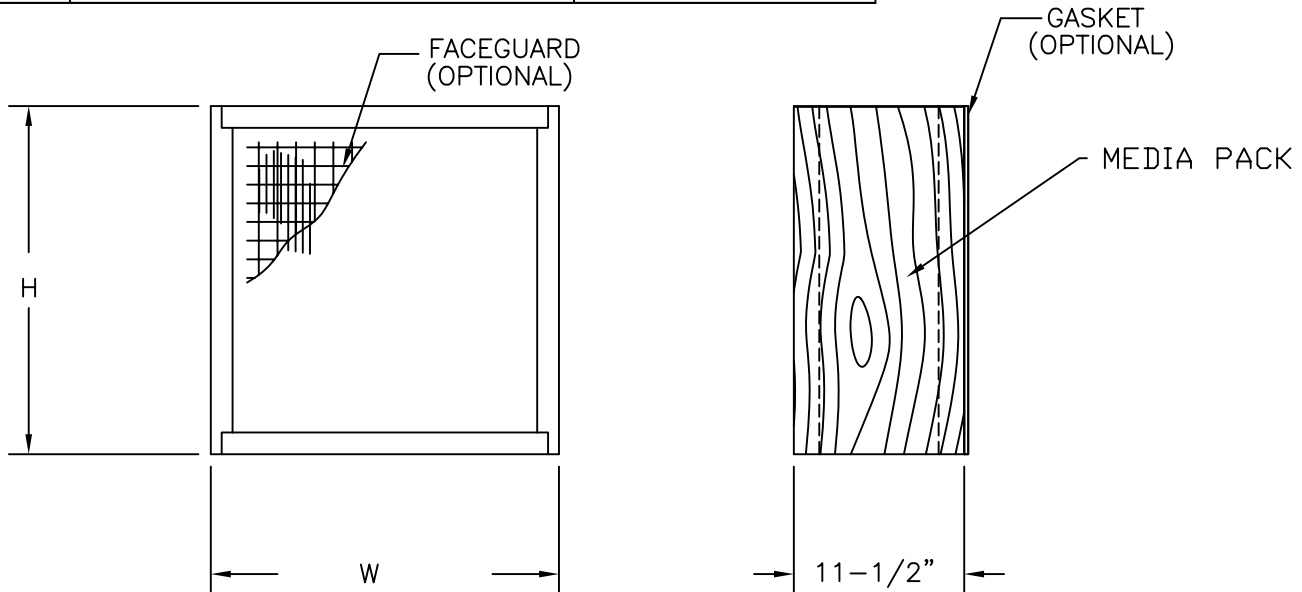


# MODEL DESCRIPTION SAMPLE MODEL NO. 0-007-W-04-00-SU-12-00-GG-F

FRAME HARDWARE	NONE	<input type="checkbox"/> <input type="checkbox"/>
FILTER MEDIUM	007 - 99.97% AT 0.3 $\mu$ m WATER RESISTANT GLASS	<input type="checkbox"/> <input type="checkbox"/> <input type="checkbox"/> <input type="checkbox"/>
	011 - 99.97% AT 0.3 $\mu$ m WATER RESISTANT GLASS	<input type="checkbox"/> <input type="checkbox"/> <input type="checkbox"/> <input type="checkbox"/>
PACK STYLE	W - 11" PUREFORM H - ALUMINUM SEPARATORS	<input type="checkbox"/> <input type="checkbox"/> <input type="checkbox"/> <input type="checkbox"/>
FRAME MATERIAL	01 - 3/4" NON F. R. PLYWOOD 04 - 3/4" F. R. PLYWOOD 07 - 3/4" F. R. PARTICLEBOARD 11 - 3/4" NON F. R. PARTICLEBOARD	<input type="checkbox"/> <input type="checkbox"/> <input type="checkbox"/>
FRAME STYLE	00 - BOX STYLE	<input type="checkbox"/> <input type="checkbox"/> <input type="checkbox"/>
PACK SEALANT	SOLID URETHANE FIRE RETARDANT	<input type="checkbox"/> <input type="checkbox"/> <input type="checkbox"/>
GASKET MATERIAL LOCATION	00 - NONE 11 - NEOPRENE UPSTREAM 12 - NEOPRENE DOWNSTREAM 13 - NEOPRENE BOTH SIDES	<input type="checkbox"/> <input type="checkbox"/> <input type="checkbox"/>
FACEGUARD MATERIAL LOCATION	00 - NONE 11 - GALVANIZED UPSTREAM 12 - GALVANIZED DOWNSTREAM 13 - GALVANIZED BOTH SIDES 21 - STAINLESS STL. UPSTREAM 22 - STAINLESS STL. DOWNSTREAM 23 - STAINLESS STL. BOTH SIDES	<input type="checkbox"/> <input type="checkbox"/> <input type="checkbox"/>
SIZE CODE	GG-F - EXAMPLE SEE CHART	<input type="checkbox"/> <input type="checkbox"/> <input type="checkbox"/> <input type="checkbox"/>

SIZE DESIGNATORS &  
RATED FLOW @ 1.35" W.G.

SIZE CODE	FILTER SIZE		RATED FLOW(CFM)
	HEIGHT	WIDTH	
CC-F	12"	12"	430
YU-F	23-3/8"	11-3/8"	865
GC-F	24"	12"	920
GE-F	24"	18"	1380
YY-F	23-3/8"	23-3/8"	1900
GG-F	24"	24"	2000
GN-F	24"	30"	2500



## SPECIFICATIONS:

1. THE HEIGHT AND WIDTH TOLERANCE IS +0 / -1/8", SQ W/IN 1/8
2. THE DEPTH TOLERANCE IS +1/16" / -0
3. THE FILTER EFFICIENCY IS 99.99% AT 0.3 m AT THE RATED FLOW
4. THE FILTER RESISTANCE IS 1.35" W.G. MAXIMUM AT THE RATED FLOW
5. THE FILTER SHALL BE SCAN TESTED AT 90 FPM  $\pm$ 10% WITH AN APPROVED AEROSOL FOR LEAKS.
6. THE MAXIMUM TEMPERATURE EXPOSURE IS 250° F
7. THE MAXIMUM R.H. IS 100%
8. CLASSIFIED BY UNDERWRITERS LABORATORIES TO FLAMMABILITY ONLY UL 900 CLASS 1.

TITLE:  
ALPHA 2000, WOOD FRAME, 99.99%  
EFFICIENT, GASKET SEAL

**Flanders**<sup>®</sup>  
FLANDERS FILTERS, INC.

DRAWING NO.  
AC-14

**space**  
filters Pty Ltd  
1300 733 431